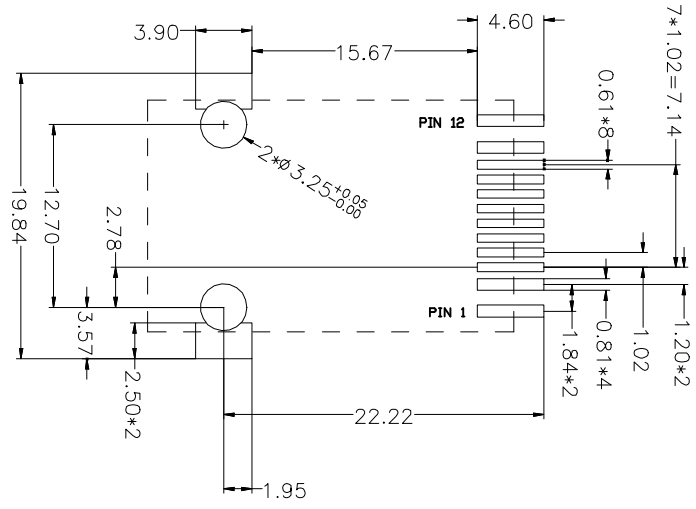
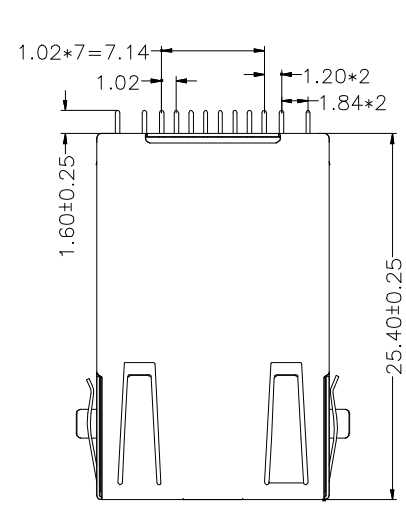


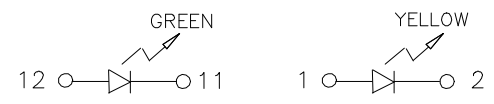
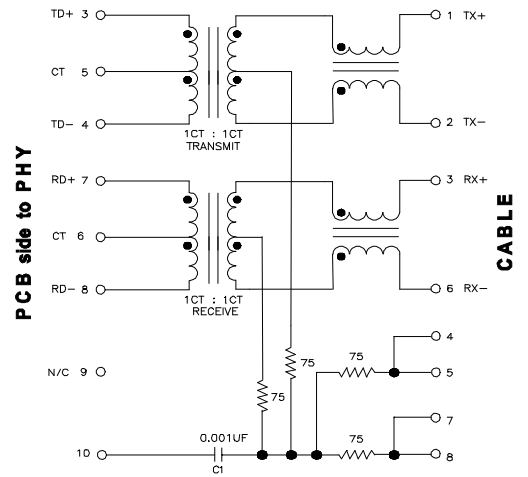
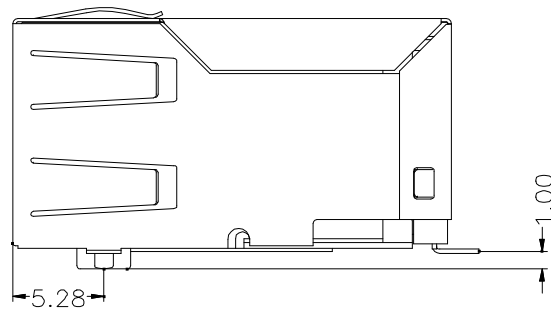
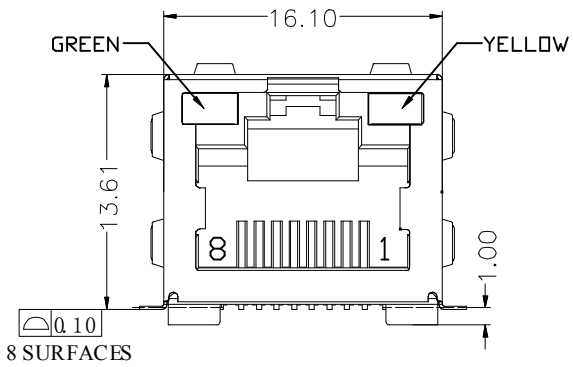
CATEGORY	DESCRIPTION	P/N #
CONNECTOR	RJ45+Transformer 10/100Mbps 1x1 PORT SMT TYPE	

REV.	ECN NO	DESCRIPTION	REVISED	DATE
A01		New Release	XSY	2014.3.26



**ELECTRICAL SPECIFICATIONS @ 25°C+/-5°C**  
 Insertion Loss: 1-100MHZ -1.0dB MAX  
 Return Loss: 1-30MHZ -16.0dB MIN  
 30-60MHZ -14.0dB MIN  
 60-80MHZ -10.0dB MIN  
 Cross Talk: 1-30MHZ -40.0dB MIN  
 30-60MHZ -35.0dB MIN  
 60-80MHZ -30.0dB MIN

Suggested PCB Layout(Component side view)



CMR:1-100MHZ -35.0dB MIN  
 Hi-Pot: 1500v AC 6S 1mA  
 OCL:350uH MIN @ 100KHZ 100mV 8mA DC  
 Turn Ratio: 1CT:1CT+/-3% Housing Material: LCP UL94V-0 Black  
 Operating temperature range:0°C to +70°C  
 Contacts: 0.30mm thick phosphor bronze plated with 6u' gold in contact area

**Coorle 库乐科技**

UNLESS OTHERWISE SPECIFIED TOLERANCES	SCALE:1/1	UNIT: mm	DWG.NO:
	SIZE: A3	PAGE:1 OF 1	
UNIT: mm	APPROVED BY	CHECKED BY	PREPARED BY
.XX :±0.25	Tony	Bill	XSY
.XXX :±0.13	<b>CUSTOMER COPY</b>		